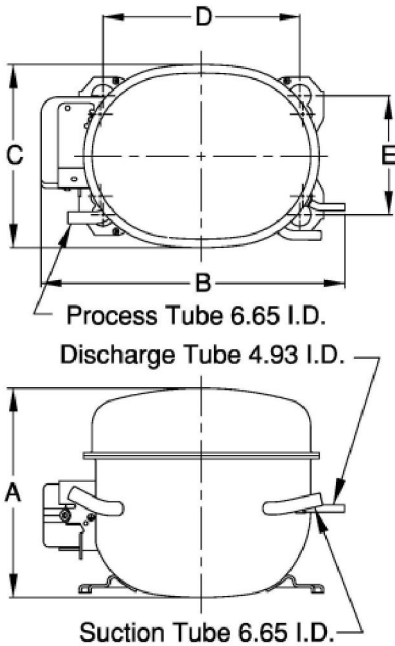




PRINCIPAL DIMENSIONS - mm



A	212
B	265
C	155
D	165
E	102

ELECTRICAL : 220-240 Volt. 50 Hz. 1 Phase

Nominal Performance

Cooling Capacity :	520	Watts (1,774)	BTU/Hr
	447	Kcal/Hr	
Power Input :	490	Watts	
Lock Rotor Amps :	16	Amps	
Rated Load Amps :	2.6	Amps	
COP (EER) :	1.06	Watts/Watts (3.62)	BTU/ W-Hr

Testing Conditions

Condensing Temperature :	54.4	°C
Evaporating Temperature :	-23.3	°C
Liquid Temperature :	32.2	°C
Return Gas Temperature :	32.2	°C
Ambient Temperature :	32.2	°C

Application

Evaporating Range :	LBP	@ -30 °C to -12.2 °C
Refrigerant :	R22	
Expansion :	Capillary Tube	
Compressor Cooling :	Fan	

Compressor and Motor data

Compressor Type :	Reciprocating
Displacement :	16.08 cc.
Oil Type :	Mineral Oil
Oil Charge :	437 cc.
Motor Type :	C.S.R. ; 2 Pole 2880 rpm
Voltage Range :	187 - 264 Volts 50 Hz.
Winding Resistance at 25 °C	
Start :	12.77 Ohms
Run :	4.30 Ohms
Weight with Oil :	11.90 Kg.
Weight with Oil and Accessories :	12.30 Kg.

Electrical Components

Motor Protector :

Type :	External 3/4"
Model Number :	KME 664-6/C
Open / Close :	100-110 / 78-60 °C
1st Cycle trip at 25 °C :	13.5 Amps

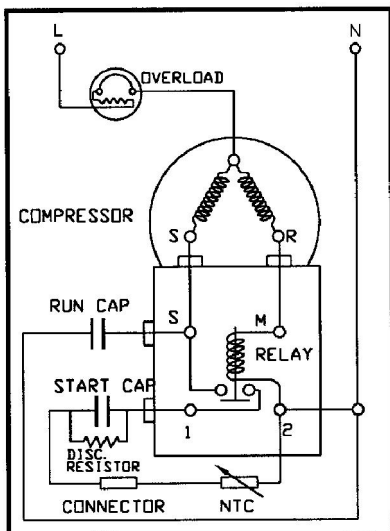
Motor Starter :

Type :	Current Relay
Model Number :	KME 682-8NT
Pick Up (max.) :	8 Amps
Drop Out(min.) :	7 Amps
Terminal Cover :	KMD 901-12
Start Capacitor :	36-43 μ F 330 VAC.
Disch. Resistor for Start Cap :	15000 Ohms 2 W
Run Capacitor :	8 μ F 450 VAC.

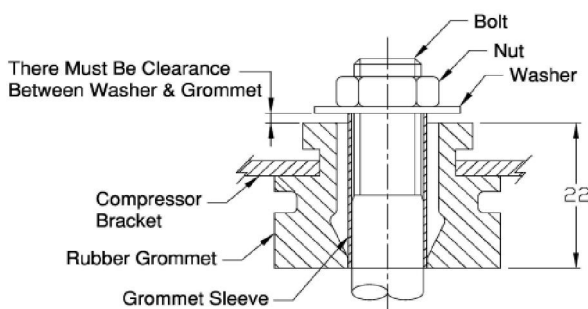
Mounting Kit

Rubber Grommet :	KMD 905-3	Earth Plug :
Sleeve Grommet :	KMD 903-2	Earth Screw :
Washer :	KEB 387	Washer Lock:

SCHEMATIC WIRING DIAGRAM C.S.R.



MOUNTING KIT



Since we are constantly improving our product , the specification are subject to change without notice.

REV. DATE

18-02-13

C / N No.

0109/13