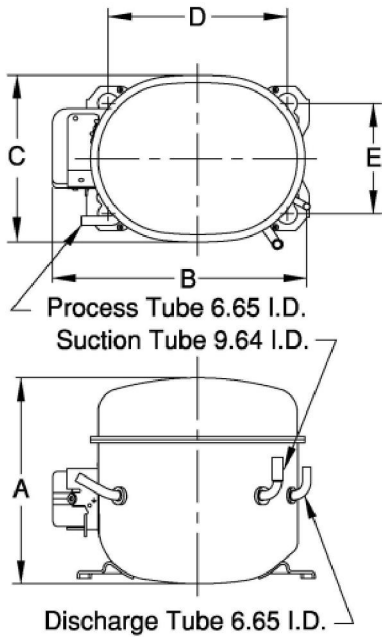




PRINCIPAL DIMENSIONS - mm



A	216
B	242
C	155
D	165
E	102

ELECTRICAL : 220-240 Volt. 50 Hz. 1 Phase

Nominal Performance

Cooling Capacity :	640	Watts (2,184)	BTU/Hr
	550	Kcal/Hr	
Power Input :	600	Watts	
Lock Rotor Amps :	21	Amps	
Rated Load Amps :	3.1	Amps	
COP (EER) :	1.07	Watts/Watts (3.64)	BTU/ W-Hr

Testing Conditions

Condensing Temperature :	54.4	° C
Evaporating Temperature :	-23.3	° C
Liquid Temperature :	32.2	° C
Return Gas Temperature :	32.2	° C
Ambient Temperature :	32.2	° C

Application

Evaporating Range :	LBP	@ -30 ° C to -12.2 ° C
Refrigerant :	R22	
Expansion :	Capillary Tube	
Compressor Cooling :	Fan	

Compressor and Motor data

Compressor Type :	Reciprocating
Displacement :	18.00 cc.
Oil Type :	Mineral Oil
Oil Charge :	437 cc.
Motor Type :	C.S.R. ; 2 Pole 2880 rpm
Voltage Range :	198-253 Volts 50 Hz.
Winding Resistance at 25 ° C	
Start :	8.56 Ohms
Run :	3.26 Ohms
Weight with Oil :	12.62 Kg.
Weight with Oil and Accessories :	13.00 Kg.

Electrical Components

Motor Protector :

Type :	External 3/4"
Model Number :	KME 664-5/C
Open / Close :	100-110 / 78-60 ° C
1st Cycle trip at 25 ° C :	15.1 Amps

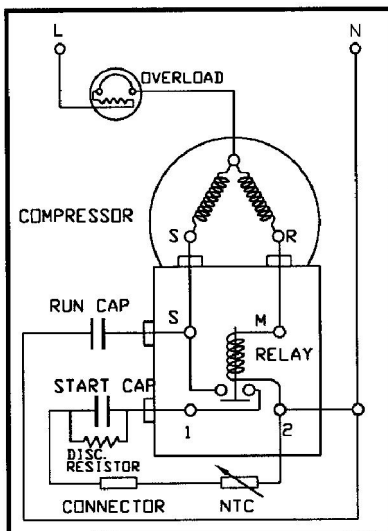
Motor Starter :

Type :	Current Relay
Model Number :	KME 682-21NT
Pick Up (max.) :	11.8 Amps
Drop Out(min.) :	10.5 Amps
Terminal Cover :	KMD 901-12
Start Capacitor :	36-43 μ F 330 VAC.
Disch. Resistor for Start Cap :	15000 Ohms 2 W
Run Capacitor :	15 μ F 440 VAC.

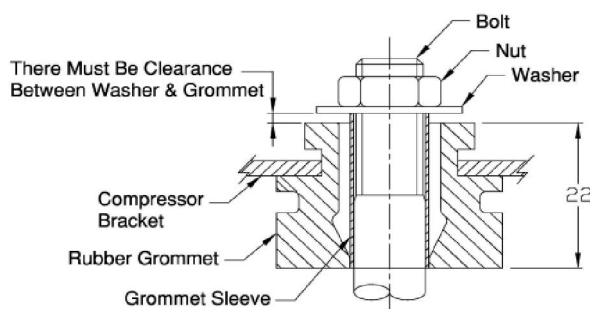
Mounting Kit

Rubber Grommet :	KMD 905-3	Earth Plug :
Sleeve Grommet :	KMD 903-2	Earth Screw :
Washer :	KEB 387	Washer Lock:

SCHEMATIC WIRING DIAGRAM C.S.R.



MOUNTING KIT



Since we are constantly improving our product , the specification are subject to change without notice.

REV. DATE

18-02-13

C / N No.

0110/13