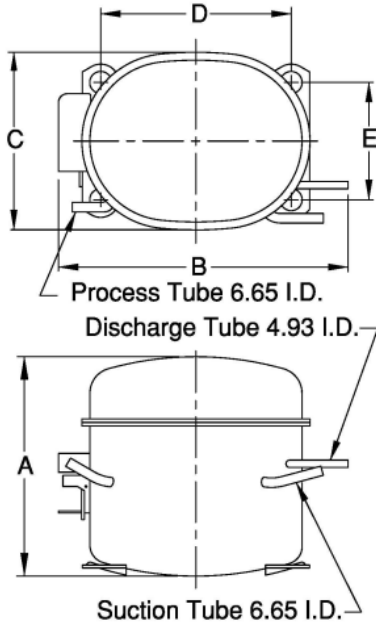




UNCONTROLLED COPY

PRINCIPAL DIMENSIONS - mm



A	189
B	277
C	155
D	165
E	102

ELECTRICAL : 100 Volt. 50/60 Hz. 1 Phase

Nominal Performance

Cooling Capacity :	240 / 280	Watts (819 / 955)	BTU/Hr
	206 / 241	Kcal/Hr	
Power Input :	196 / 230	Watts	
Locked Rotor Amps :	27.06 / 23.3	Amps	
Rated Load Amps :	2.7 / 2.45	Amps	
COP (EER) :	1.22 / 1.22	Watts/ Watts (4.18/ 4.15)	BTU/W-Hr

Testing Conditions

Condensing Temperature :	54.4	°C
Evaporating Temperature :	-23.3	°C
Liquid Temperature :	32.2	°C
Return Gas Temperature :	32.2	°C
Ambient Temperature :	32.2	°C

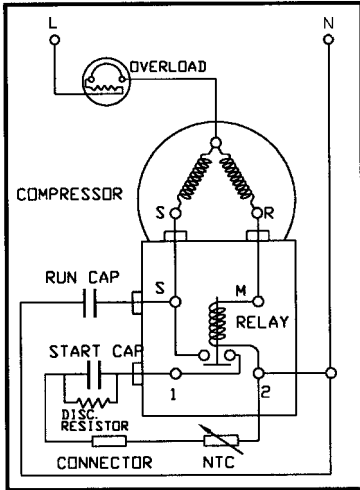
Application

Evaporating Range :	LBP	@ -40 °C to -12.2 °C
Refrigerant :	R134a	
Expansion :	Capillary Tube	
Compressor Cooling :	Fan	

Compressor and Motor data

Compressor Type :	Reciprocating
Displacement :	9.42 cc.
Oil Type :	Polyolester Oil
Oil Charge :	350 cc.
Motor Type :	C.S.R. ; 2 Pole 2880 / 3500 rpm
Voltage Range :	90 - 115 Volts 50/60 Hz.
Winding Resistance at 25 °C	
Start :	6.90 Ohms
Run :	1.30 Ohms
Weight with Oil :	10.70 Kg.
Weight with Oil and Accessories :	11.50 Kg.

SCHEMATIC WIRING DIAGRAM C.S.R.



Electrical Components

Motor Protector :

Type :	External 3/4"
Model Number :	KME 664-32/C
Open / Close :	115-125 / 78-60 °C
1st Cycle trip at 25 °C:	17.0 Amps

Motor Starter :

Type :	Current Relay
Model Number :	KME 682-33NT
Pick Up (max.) :	12.0 Amps
Drop Out(min.) :	10.6 Amps
Terminal Cover :	KMD 901-12

Start Capacitor :

108-130 μ F 250 VAC.

Disch. Resistor for Start Cap : 15000 Ohms 2 W

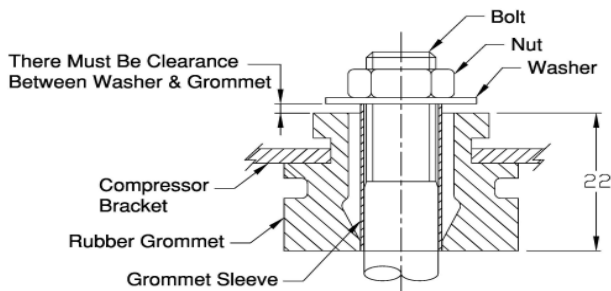
Run Capacitor :

15 μ F 440 VAC.

Mounting Kit

Rubber Grommet :	KMD 905-3	Earth Plug :
Sleeve Grommet :	KMD 903-2	Earth Screw :
Washer :	KEB 387	Washer Lock :

MOUNTING KIT



Since we are constantly improving our product , the specification are subject to change without notice.

REV. DATE

08-08-11

C / N No.

0307/11