



KULTHORN KIRBY PUBLIC CO.,LTD.

TECHNICAL SPECIFICATION

UNCONTROLLED COPY

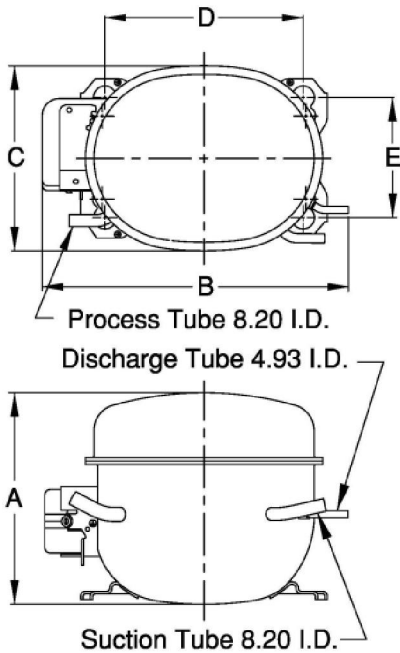
**HERMETIC
COMPRESSOR**

AE 2416ZK

BOM ID 16J-A1

High Torque Start

PRINCIPAL DIMENSIONS - mm



A	196
B	265
C	155
D	165
E	102

ELECTRICAL : 220-240 Volt. 50 Hz. 1 Phase

Nominal Performance

Cooling Capacity :	410	Watts (1,399)	BTU/Hr
	353	Kcal/Hr	
Power Input :	352	Watts	
Lock Rotor Amps :	13.2	Amps	
Rated Load Amps :	2.31	Amps	
COP (EER) :	1.16	Watts/Watts (3.97)	BTU/ W-Hr

Testing Conditions

Condensing Temperature :	54.4	° C
Evaporating Temperature :	-23.3	° C
Liquid Temperature :	32.2	° C
Return Gas Temperature :	32.2	° C
Ambient Temperature :	32.2	° C

Application

Evaporating Range :	LBP @ -40 ° C to -12.2 ° C
Refrigerant :	R404A/R507
Expansion :	Capillary Tube
Compressor Cooling :	Fan

Compressor and Motor data

Compressor Type :	Reciprocating
Displacement :	8.86 cc.
Oil Type :	Polyolester Oil
Oil Charge :	357 cc.
Motor Type :	C.S.I.R. ; 2 Pole 2880 rpm
Voltage Range :	187 - 264 Volts 50 Hz.
Winding Resistance at 25 ° C	
Start :	24.27 Ohms
Run :	5.71 Ohms
Weight with Oil :	11.14 Kg.
Weight with Oil and Accessories :	11.40 Kg.

Electrical Components

Motor Protector :

Type :	External 3/4"
Model Number :	KME 660-8/C
Open / Close :	100-110 / 78-60 ° C
1st Cycle trip at 25 ° C :	11 Amps

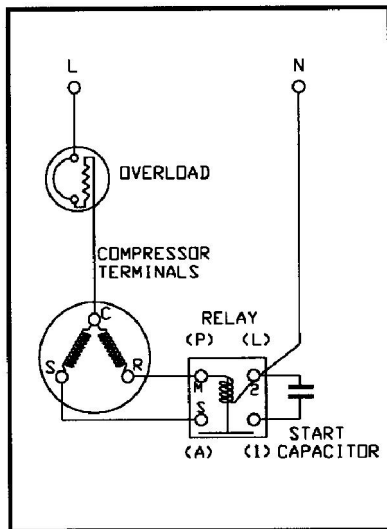
Motor Starter :

Type :	Current Relay
Model Number :	KME 684-3
Pick Up (max.) :	6.7 Amps
Drop Out(min.) :	5.9 Amps
Terminal Cover :	KMD 901-12
Start Capacitor :	36-43 μ F 330 VAC.
Disch. Resistor for Start Cap :	15000 Ohms 2 W
Run Capacitor :	No μ F No VAC.

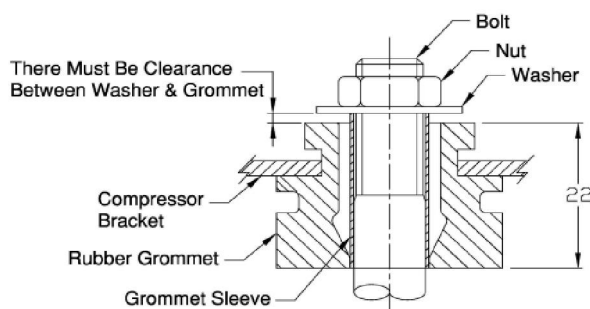
Mounting Kit

Rubber Grommet :	KMD 905-3	Earth Plug :
Sleeve Grommet :	KMD 903-2	Earth Screw :
Washer :	KEB 387	Washer Lock:

SCHEMATIC WIRING DIAGRAM C.S.I.R.



MOUNTING KIT



Since we are constantly improving our product ,
the specification are subject to change without notice.

REV. DATE

24-12-12

C / N No.

0617/12